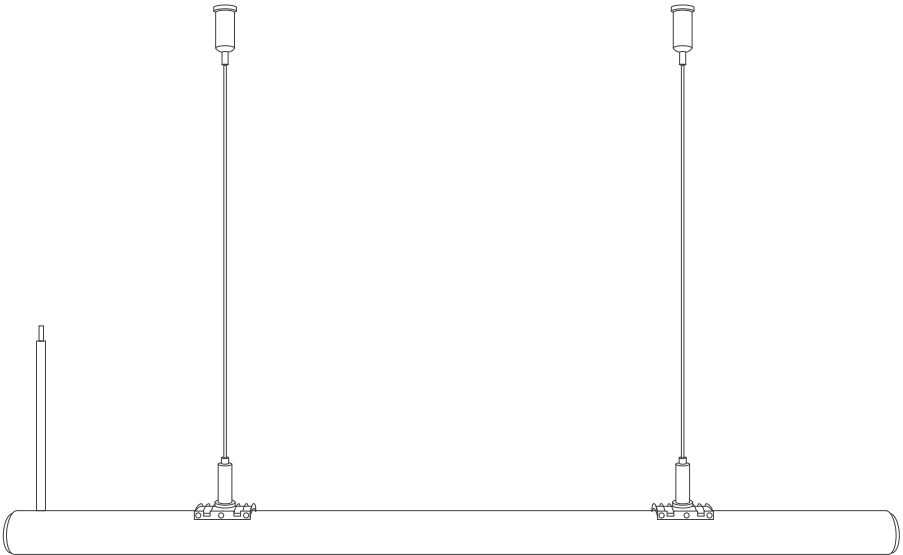


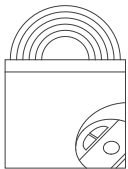
Installation Manual

NNR25 Horizontal suspension accessories V1.1



Please read this manual carefully before installation, and install the product in the correct way.
Please keep it after reading, so that all users of this product can check it at any time.

Prepare materials



Neon strip



Manual



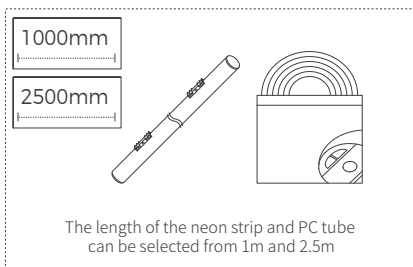
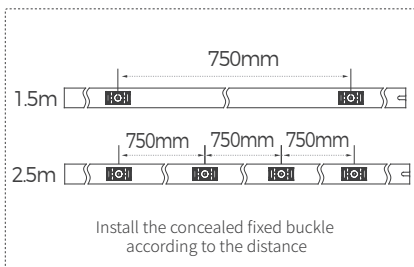
Rubber plug screw



PC tube



Wire rope



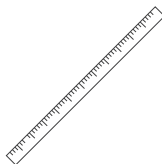
Installation tools



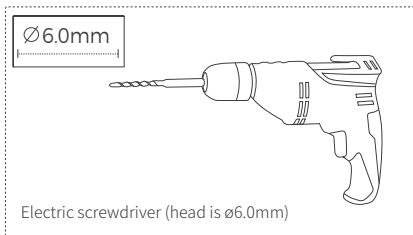
Phillips screwdriver



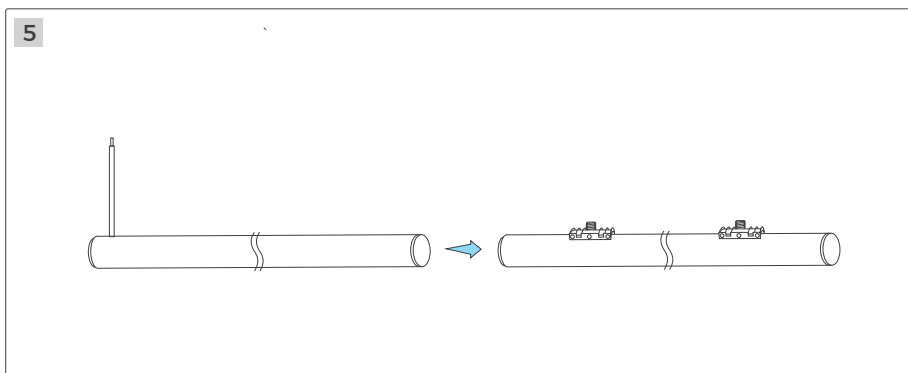
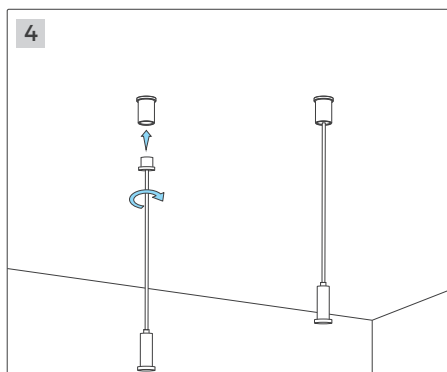
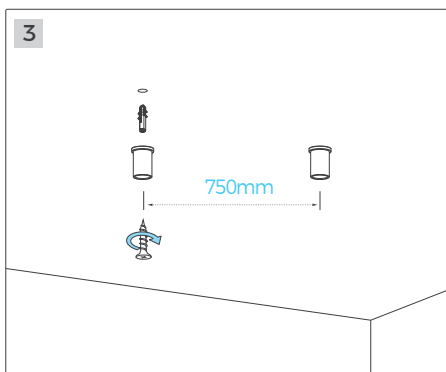
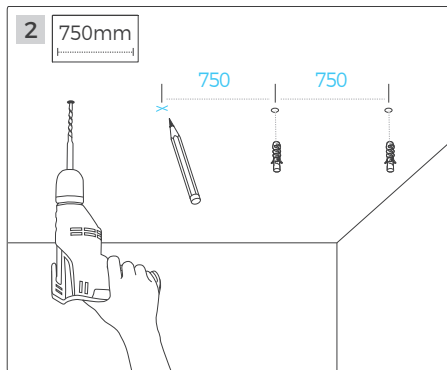
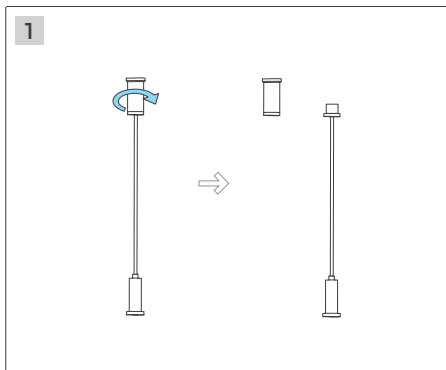
Pen

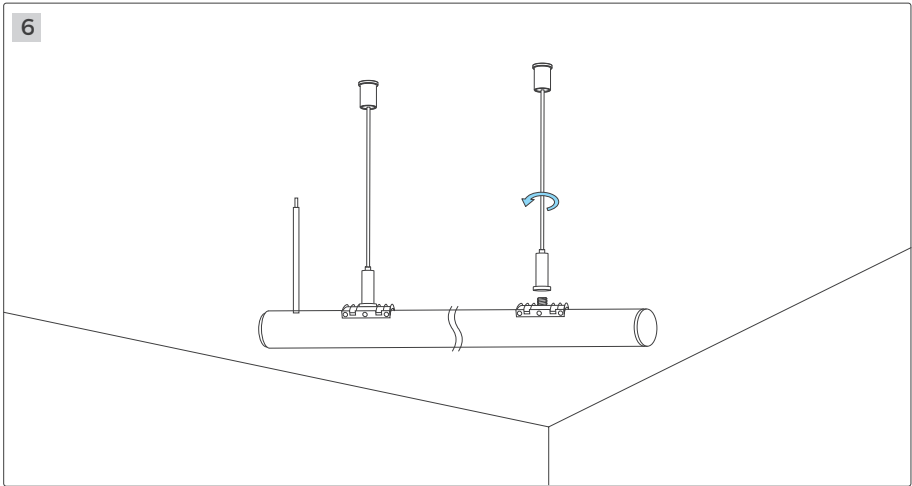


Tape measure



Installation Steps





Parameters

Code	Wire length	Load bearing	Outlet	Adaptation model
AS-NNR25LHX-1000	/	4kg	Side	NNR25-XXCSN050CC0100
AS-NNR25LHX-2500	/	4kg	Side	NNR25-XXCSN050CC0250
AS-NNR25LHX-0038	/	4kg	Side	NNR25-XXCSN050CC0500



Tel: +86-755-2923-1888
E-mail: colors@colorsled.com
Web: www.colorsled.com
Add: Building A5, Qixing Wisdom Park, Shiyuan Youth Road,
 Bao'an District, Shenzhen, China

